

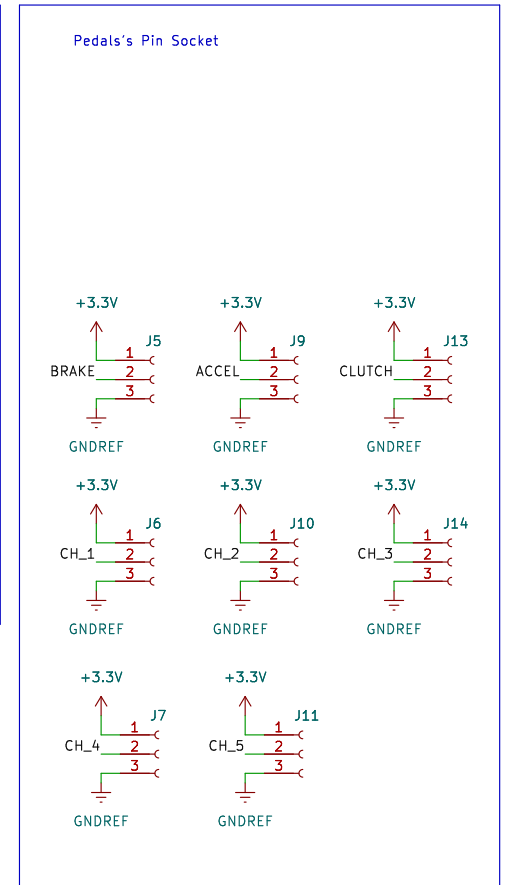
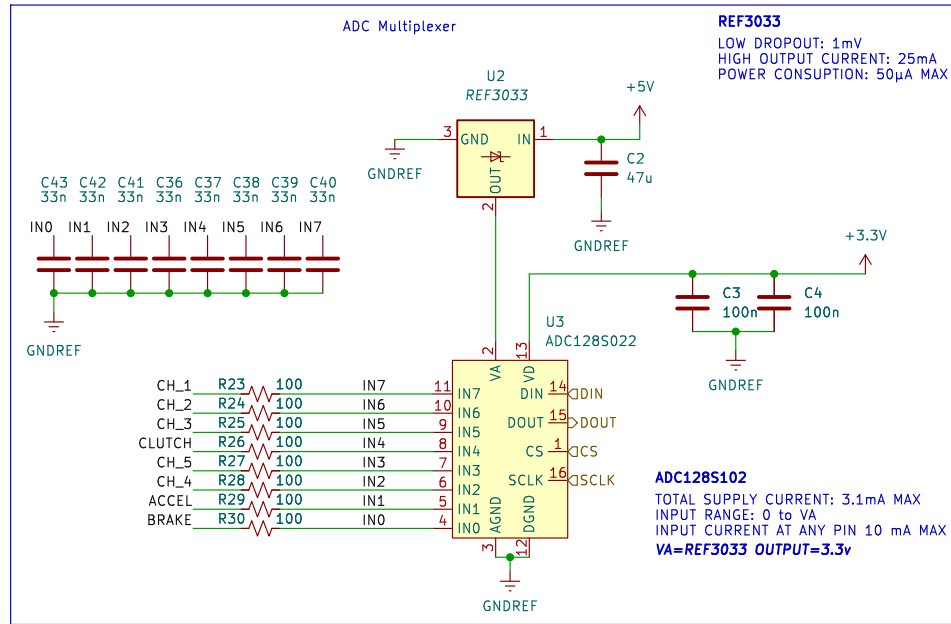
Version 2.1
 Desing by: janc18

Sheet: /
 File: Pedals.kicad_sch

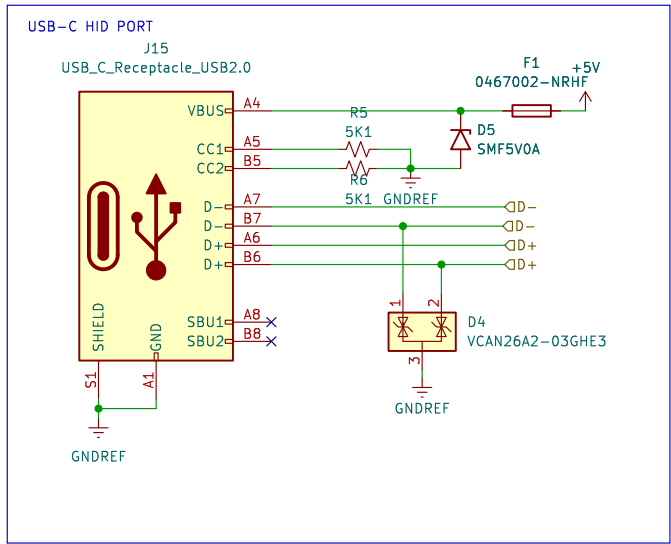
Title: CAE32 pedals

Size: A4 Date: 2024-01-13
 KiCad E.D.A. kicad 7.0.8

Rev: 1
 Id: 1/5



Version 2.1	
Desing by: janc18	
Sheet: /ADCs components/ File: ADC.kicad_sch	
Title: CAE32 pedals	
Size: A4	Date: 2024-01-13
KiCad E.D.A. kicad 7.0.8	Rev: 1 Id: 2/5



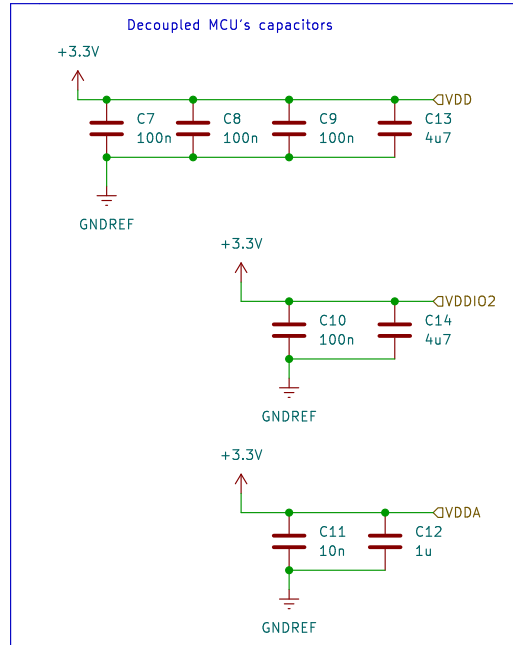
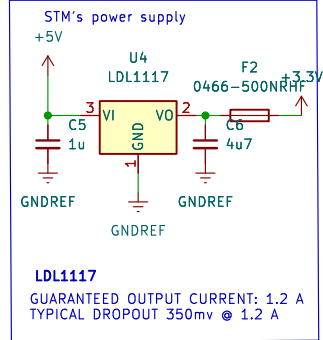
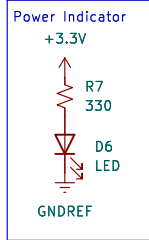
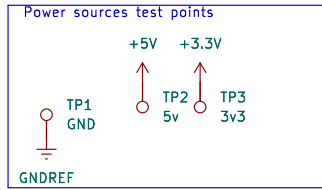
Version 2.1
Desing by: janc18

Sheet: /Connectors(USB,Programming and debugging)/
File: Connectors.kicad_sch

Title: CAE32 pedals

Size: A4 Date: 2024-01-13
KiCad E.D.A. kicad 7.0.8

Rev: 1
Id: 3/5



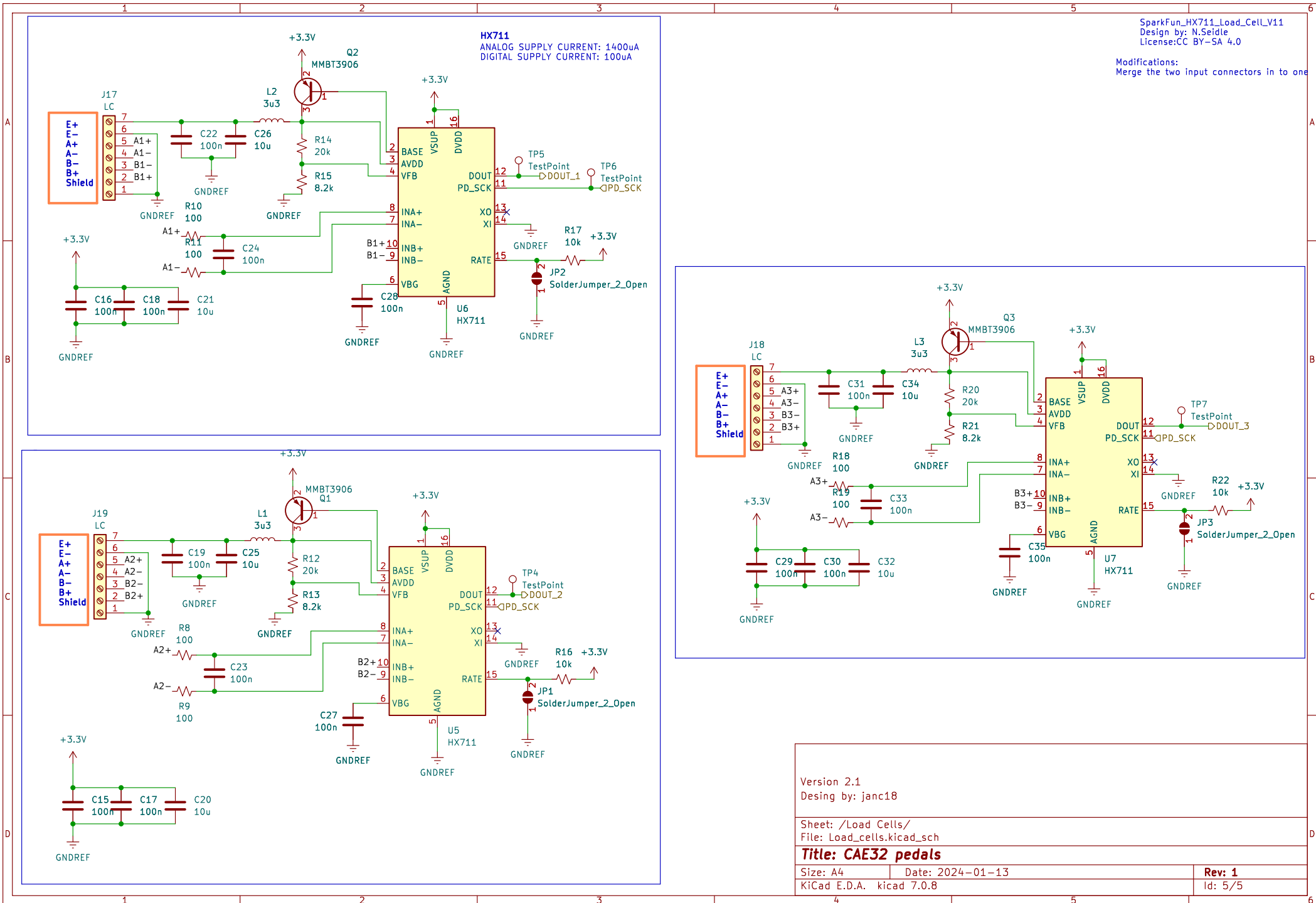
Version 2.1
Desing by: janc18

Sheet: /Power Supply/
File: Power.kicad_sch

Title: CAE32 pedals

Size: A4 Date: 2024-01-13
KiCad E.D.A. kicad 7.0.8

Rev: 1
Id: 4/5



SparkFun_HX711_Load_Cell_V11
 Design by: N.Seidle
 License:CC BY-SA 4.0
 Modifications:
 Merge the two input connectors in to one

Version 2.1
 Desing by: janc18

Sheet: /Load Cells/
 File: Load_cells.kicad_sch

Title: CAE32 pedals

Size: A4 Date: 2024-01-13
 KiCad E.D.A. kicad 7.0.8

Rev: 1
 Id: 5/5